



120W Constant Voltage + Constant Current LED Driver

**HLG-120H** series



**Features**

- Constant Voltage + Constant Current mode output
- Metal housing with class I design
- Built-in active PFC function
- IP67 / IP65 rating for indoor or outdoor installations
- Function options: output adjustable via potentiometer; 3 in 1 dimming; Timer dimming
- Typical lifetime > 62000 hours
- 7 years warranty

**Applications**

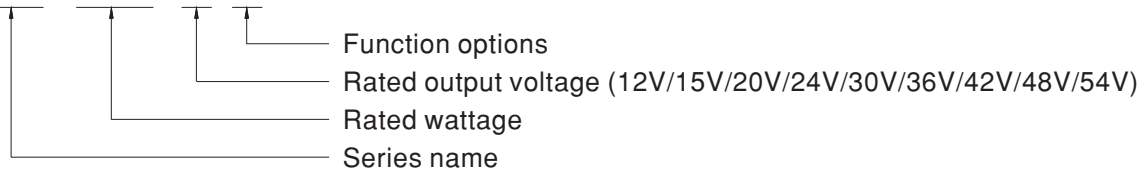
- LED street lighting
- LED high-bay lighting
- Parking space lighting
- LED fishing lamp
- LED greenhouse lighting
- Type “HL” for use in Class I , Division 2 hazardous (Classified) location.

**Description**

HLG-120H series is a 120W AC/DC LED driver featuring the dual mode constant voltage and constant current output. HLG-120H operates from 90 ~ 305VAC and offers models with different rated voltage ranging between 12V and 54V. Thanks to the high efficiency up to 93.5%, with the fanless design, the entire series is able to operate for -40°C ~ +80°C case temperature under free air convection. The design of metal housing and IP67/IP65 ingress protection level allows this series to fit both indoor and outdoor applications. HLG-120H is equipped with various function options, such as dimming methodologies, so as to provide the optimal design flexibility for LED lighting system.

**Model Encoding**

HLG - 120H - 48 A



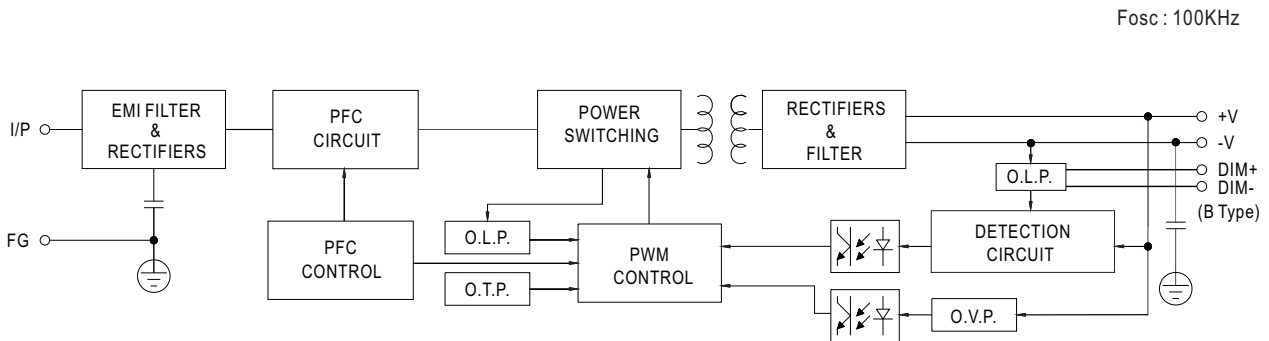
| Type  | IP Level | Function   | Note       |
|-------|----------|--|------------|
| Blank | IP67     | Io and Vo fixed  | In Stock   |
| A     | IP65     | Io and Vo adjustable through built-in potentiometer                    | In Stock   |
| B     | IP67     | 3 in 1 dimming function (1~10VDC, 10V PWM signal and resistance)       | In Stock   |
| D     | IP67     | Timer dimming function, contact MEAN WELL for details(safety pending). | By request |



**SPECIFICATION**

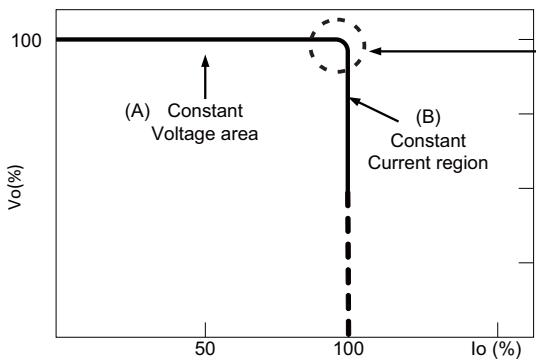
| MODEL                   |  | HLG-120H-12   | HLG-120H-15  | HLG-120H-20    | HLG-120H-24 | HLG-120H-30 | HLG-120H-36 | HLG-120H-42 | HLG-120H-48 | HLG-120H-54 |       |
|-------------------------|--|---|--|----------------|-------------|-------------|-------------|-------------|-------------|-------------|-------|
| OUTPUT                  | DC VOLTAGE   | 12V   | 15V  | 20V            | 24V         | 30V         | 36V         | 42V         | 48V         | 54V         |       |
|                         | CONSTANT CURRENT REGION Note.4   | 6 ~ 12V   | 7.5 ~ 15V  | 10 ~ 20V       | 12 ~ 24V    | 15 ~ 30V    | 18 ~ 36V    | 21 ~ 42V    | 24 ~ 48V    | 27 ~ 54V    |       |
|                         | RATED CURRENT  | 10A   | 8A   | 6A             | 5A          | 4A          | 3.4A        | 2.9A        | 2.5A        | 2.3A        |       |
|                         | RATED POWER  | 120W  | 120W   | 120W           | 120W        | 120W        | 122.4W      | 121.8W      | 120W        | 124.2W      |       |
|                         | RIPPLE & NOISE (max.) Note.2   | 150mVp-p  | 150mVp-p   | 150mVp-p       | 150mVp-p    | 200mVp-p    | 200mVp-p    | 200mVp-p    | 200mVp-p    | 200mVp-p    |       |
|                         | VOLTAGE ADJ. RANGE   | Adjustable for A-Type only (via built-in potentiometer)<br>10.8 ~ 13.5V   13.5 ~ 17V   17 ~ 22V   22 ~ 27V   27 ~ 33V   33 ~ 40V   38 ~ 46V   43 ~ 53V   49 ~ 58V               |  |                |             |             |             |             |             |             |       |
|                         | CURRENT ADJ. RANGE   | Adjustable for A-Type only (via built-in potentiometer)<br>5 ~ 10A   4 ~ 8A   3 ~ 6A   2.5 ~ 5A   2 ~ 4A   1.7 ~ 3.4A   1.4 ~ 2.9A   1.2 ~ 2.5A   1.1 ~ 2.3A                    |  |                |             |             |             |             |             |             |       |
|                         | VOLTAGE TOLERANCE Note.3   | ±2.5%   | ±2.0%  | ±1.0%          | ±1.0%       | ±1.0%       | ±1.0%       | ±1.0%       | ±1.0%       | ±1.0%       | ±1.0% |
|                         | LINE REGULATION  | ±0.5%   | ±0.5%  | ±0.5%          | ±0.5%       | ±0.5%       | ±0.5%       | ±0.5%       | ±0.5%       | ±0.5%       | ±0.5% |
|                         | LOAD REGULATION  | ±2.0%   | ±1.5%  | ±0.5%          | ±0.5%       | ±0.5%       | ±0.5%       | ±0.5%       | ±0.5%       | ±0.5%       | ±0.5% |
|                         | SETUP, RISE TIME Note.6  | 1200ms,50ms/115VAC   500ms,50ms/230VAC  |  |                |             |             |             |             |             |             |       |
| HOLD UP TIME (Typ.)     | 12ms / 115VAC, 230VAC  |   |  |                |             |             |             |             |             |             |       |
| INPUT                   | VOLTAGE RANGE Note.5   | 90 ~ 305VAC   127 ~ 431VDC<br>(Please refer to "STATIC CHARACTERISTIC" section)   |  |                |             |             |             |             |             |             |       |
|                         | FREQUENCY RANGE  | 47 ~ 63Hz   |  |                |             |             |             |             |             |             |       |
|                         | POWER FACTOR (Typ.)  | PF ≥ 0.98/115VAC, PF ≥ 0.95/230VAC, PF ≥ 0.93/277VAC @ full load<br>(Please refer to "POWER FACTOR (PF) CHARACTERISTIC" section)  |  |                |             |             |             |             |             |             |       |
|                         | TOTAL HARMONIC DISTORTION  | THD < 20% (@ load ≥ 50% / 115VAC, 230VAC; @ load ≥ 75% / 277VAC)<br>(Please refer to "TOTAL HARMONIC DISTORTION (THD)" section)   |  |                |             |             |             |             |             |             |       |
|                         | EFFICIENCY (Typ.)  | 92%   | 92%  | 93%            | 93%         | 93%         | 93%         | 93%         | 93.5%       | 93.5%       |       |
|                         | AC CURRENT (Typ.)  | 1.4A / 115VAC   | 0.6A / 230VAC  | 0.55A / 277VAC |             |             |             |             |             |             |       |
|                         | INRUSH CURRENT (Typ.)  | COLD START 60A (t <sub>width</sub> =375μs measured at 50% I <sub>peak</sub> ) at 230VAC; Per NEMA 410   |  |                |             |             |             |             |             |             |       |
|                         | MAX. No. of PSUs on 16A CIRCUIT BREAKER  | 5 units (circuit breaker of type B) / 9 units (circuit breaker of type C) at 230VAC   |  |                |             |             |             |             |             |             |       |
| PROTECTION              | OVER CURRENT   | 95 ~ 108%<br>Constant current limiting, recovers automatically after fault condition is removed   |  |                |             |             |             |             |             |             |       |
|                         | SHORT CIRCUIT  | Constant current limiting, recovers automatically after fault condition is removed  |  |                |             |             |             |             |             |             |       |
|                         | OVER VOLTAGE   | 14 ~ 17V  | 18 ~ 21V   | 23 ~ 27V       | 28 ~ 34V    | 34 ~ 38V    | 41 ~ 46V    | 47 ~ 53V    | 54 ~ 63V    | 59 ~ 65V    |       |
|                         | OVER TEMPERATURE   | Shut down o/p voltage, recovers automatically after temperature goes down   |  |                |             |             |             |             |             |             |       |
|                         | ENVIRONMENT  | WORKING TEMP.   | T <sub>case</sub> = -40 ~ +80°C (Please refer to "OUTPUT LOAD vs TEMPERATURE" section) |                |             |             |             |             |             |             |       |
| MAX. CASE TEMP.         |  | T <sub>case</sub> = +80°C   |  |                |             |             |             |             |             |             |       |
| WORKING HUMIDITY        |  | 20 ~ 95% RH non-condensing  |  |                |             |             |             |             |             |             |       |
| STORAGE TEMP., HUMIDITY |  | -40 ~ +80°C, 10 ~ 95% RH  |  |                |             |             |             |             |             |             |       |
| TEMP. COEFFICIENT       |  | ±0.03%/°C (0 ~ 60°C)  |  |                |             |             |             |             |             |             |       |
| VIBRATION               |  | 10 ~ 500Hz, 5G 12min./1cycle, period for 72min. each along X, Y, Z axes   |  |                |             |             |             |             |             |             |       |
| SAFETY & EMC            | SAFETY STANDARDS Note.8  | UL8750(type"HL"), CSA C22.2 No. 250.0-08, ENEC, TUV EN61347-1, EN61347-2-13 independent; IP65 or IP67, J61347-1, J61347-2-13 approved; design refer to UL60950-1, TUV EN60950-1 |  |                |             |             |             |             |             |             |       |
|                         | WITHSTAND VOLTAGE  | I/P-O/P:3.75KVAC   I/P-FG:2KVAC   O/P-FG:1.5KVAC  |  |                |             |             |             |             |             |             |       |
|                         | ISOLATION RESISTANCE   | I/P-O/P, I/P-FG, O/P-FG:100M Ohms / 500VDC / 25°C / 70% RH  |  |                |             |             |             |             |             |             |       |
|                         | EMC EMISSION Note.8  | Compliance to EN55015, EN55022 (CISPR22) Class B, EN61000-3-2 Class C (@ load ≥ 50%); EN61000-3-3   |  |                |             |             |             |             |             |             |       |
| OTHERS                  | EMC IMMUNITY   | Compliance to EN61000-4-2,3,4,5,6,8,11, EN61547, EN55024, light industry level (surge immunity Line-Earth 4KV, Line-Line 2KV)   |  |                |             |             |             |             |             |             |       |
|                         | MTBF   | 192.2K hrs min.   MIL-HDBK-217F (25°C)  |  |                |             |             |             |             |             |             |       |
|                         | DIMENSION  | 220*68*38.8mm (L*W*H)   |  |                |             |             |             |             |             |             |       |
| NOTE                    | PACKING  | 1.12Kg; 12pcs/14.4Kg/0.8CUFT  |  |                |             |             |             |             |             |             |       |
|                         | <p>1. All parameters NOT specially mentioned are measured at 230VAC input, rated current and 25°C of ambient temperature.</p> <p>2. Ripple &amp; noise are measured at 20MHz of bandwidth by using a 12" twisted pair-wire terminated with a 0.1uf &amp; 47uf parallel capacitor.</p> <p>3. Tolerance : includes set up tolerance, line regulation and load regulation.</p> <p>4. Please refer to "DRIVING METHODS OF LED MODULE".</p> <p>5. De-rating may be needed under low input voltages. Please refer to "STATIC CHARACTERISTIC" sections for details.</p> <p>6. Length of set up time is measured at first cold start. Turning ON/OFF the driver may lead to increase of the set up time.</p> <p>7. The driver is considered as a component that will be operated in combination with final equipment. Since EMC performance will be affected by the complete installation, the final equipment manufacturers must re-qualify EMC Directive on the complete installation again.</p> <p>8. The model certified for CCC(GB19510.14, GB19510.1, GB17743 and GB17625.1) is an optional model . Please contact MEAN WELL for details.</p> <p>9. To fulfill requirements of the latest ErP regulation for lighting fixtures, this LED driver can only be used behind a switch without permanently connected to the mains.</p> <p>10. This series meets the typical life expectancy of &gt;62,000 hours of operation when T<sub>case</sub>, particularly (T<sub>c</sub>) point (or TMP, per DLC), is about 75°C or less.</p> <p>11. Please refer to the warranty statement on MEAN WELL's website at <a href="http://www.meanwell.com">http://www.meanwell.com</a></p> |   |  |                |             |             |             |             |             |             |       |

## ■ BLOCK DIAGRAM



## ■ DRIVING METHODS OF LED MODULE

※ This series is able to work in either Constant Current mode (a direct drive way) or Constant Voltage mode (usually through additional DC/DC driver) to drive the LEDs.

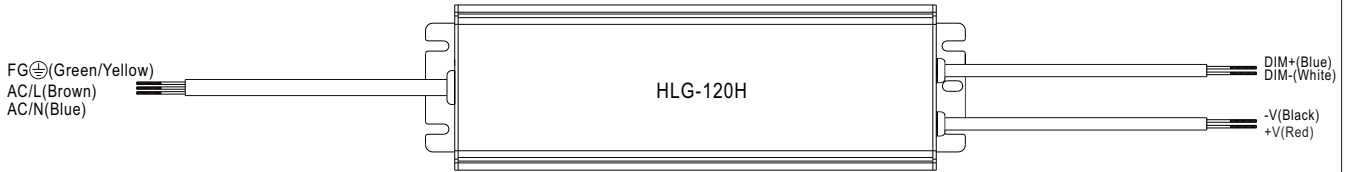


Typical output current normalized by rated current (%)

In the constant current region, the highest voltage at the output of the driver depends on the configuration of the end systems.

Should there be any compatibility issues, please contact MEAN WELL.

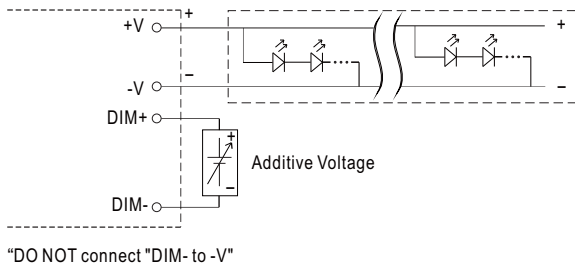
## DIMMING OPERATION



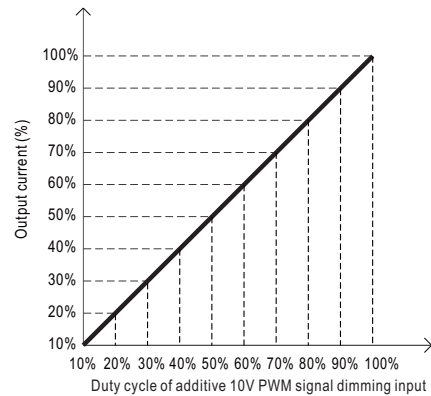
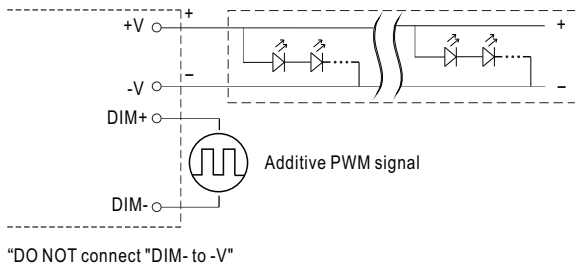
### ※ 3 in 1 dimming function (for B-Type)

- Output constant current level can be adjusted by applying one of the three methodologies between DIM+ and DIM-: 1 ~ 10VDC, or 10V PWM signal or resistance.
- Direct connecting to LEDs is suggested. It is not suitable to be used with additional drivers.
- Dimming source current from power supply: 100 $\mu$ A (typ.)

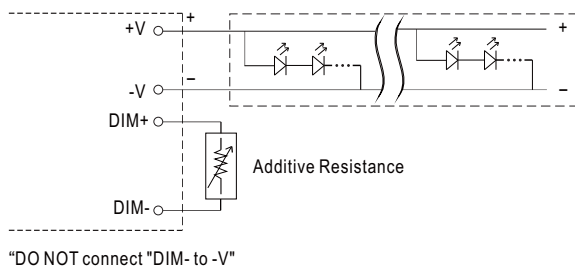
#### ◎ Applying additive 1 ~ 10VDC



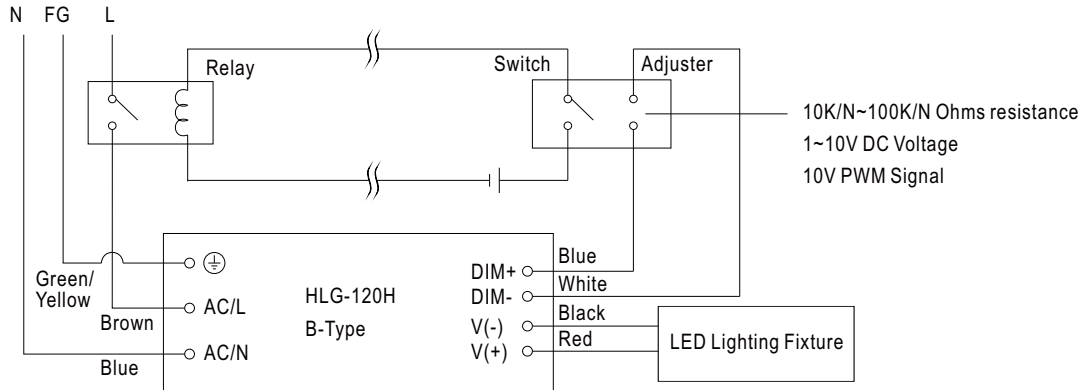
#### ◎ Applying additive 10V PWM signal (frequency range 100Hz ~ 3KHz):



#### ◎ Applying additive resistance:

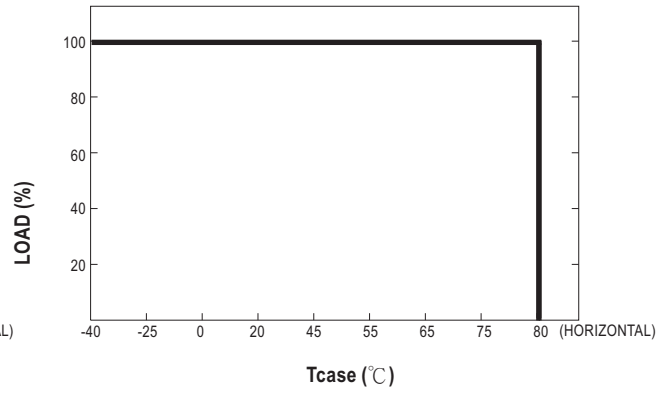
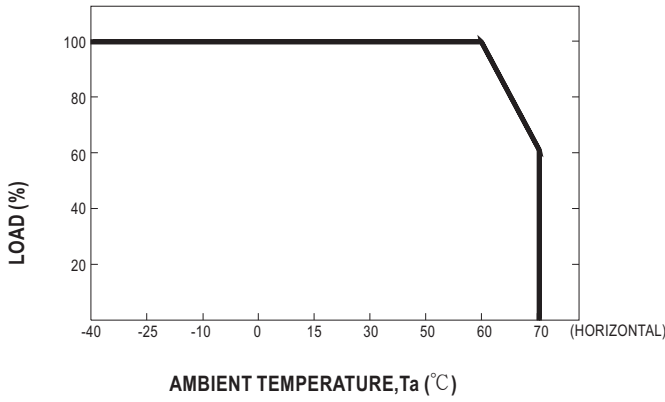


Note: In the case of turning the lighting fixture down to 0% brightness, please refer to the configuration as follow, or please contact MEAN WELL for other options.

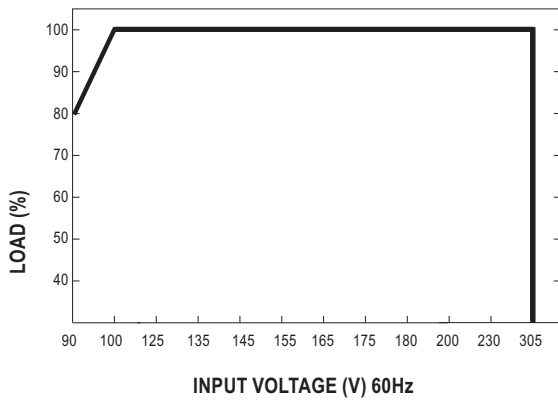


Using a switch and relay can turn ON/OFF the lighting fixture.

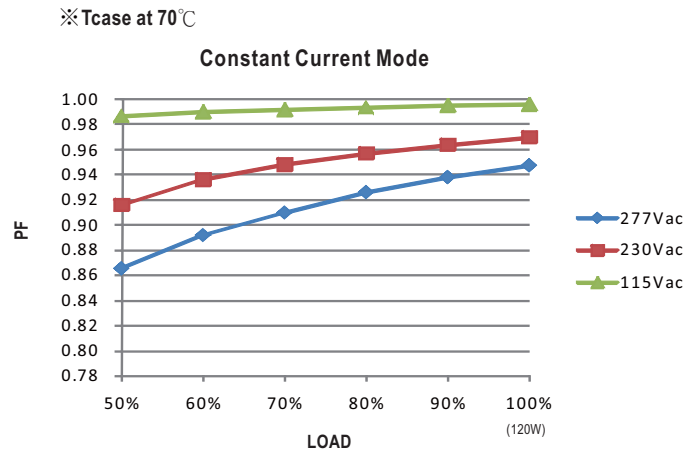
### OUTPUT LOAD vs TEMPERATURE



### STATIC CHARACTERISTICS

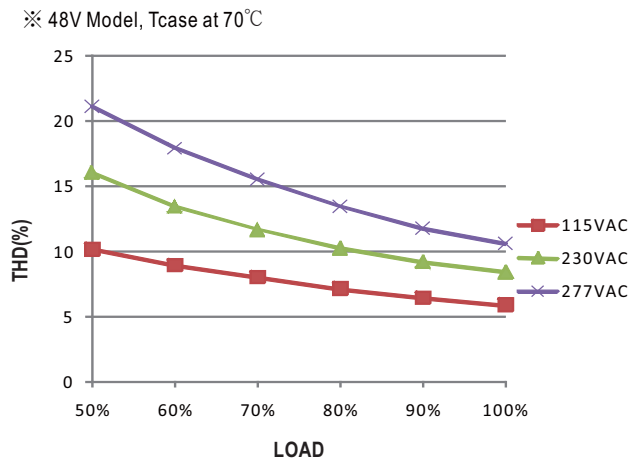


### POWER FACTOR(PF) CHARACTERISTIC



※ De-rating is needed under low input voltage.

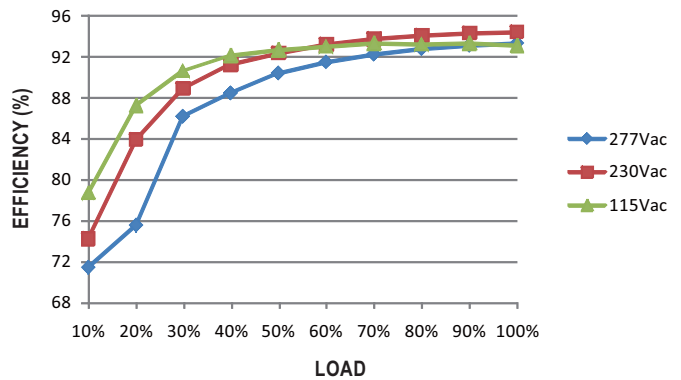
### TOTAL HARMONIC DISTORTION (THD)



### EFFICIENCY vs LOAD

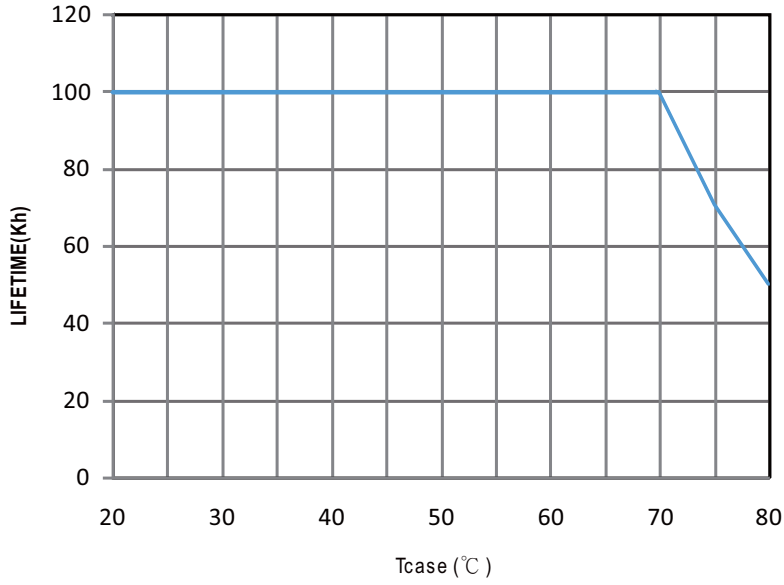
HLG-120H series possess superior working efficiency that up to 93.5% can be reached in field applications.

※ 48V Model, Tcase at 70°C





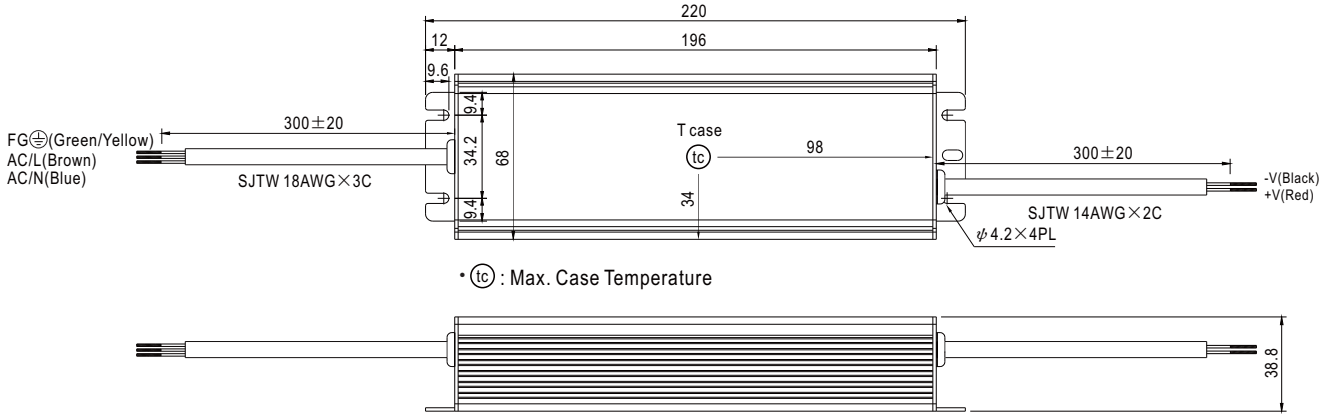
■ LIFETIME



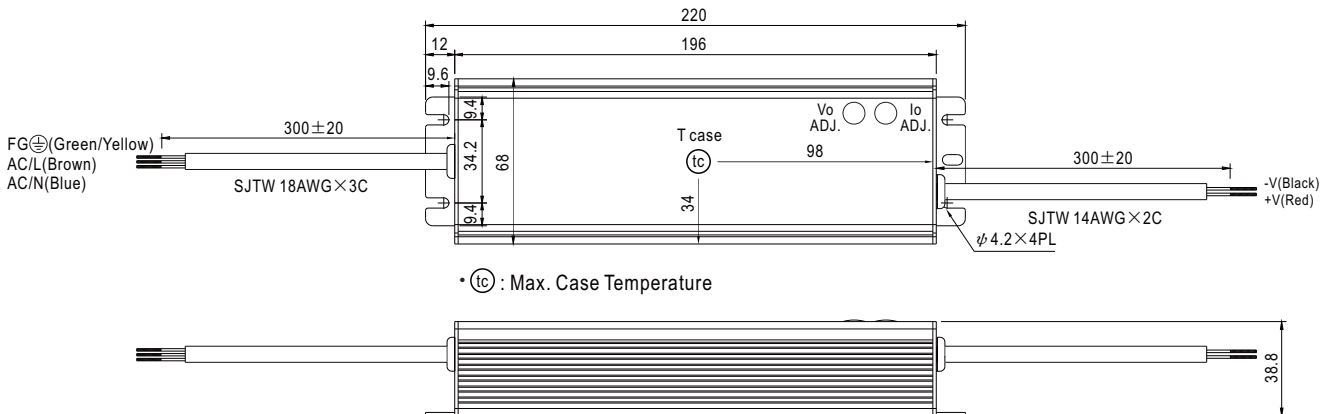
Case No.994A Unit:mm

## MECHANICAL SPECIFICATION

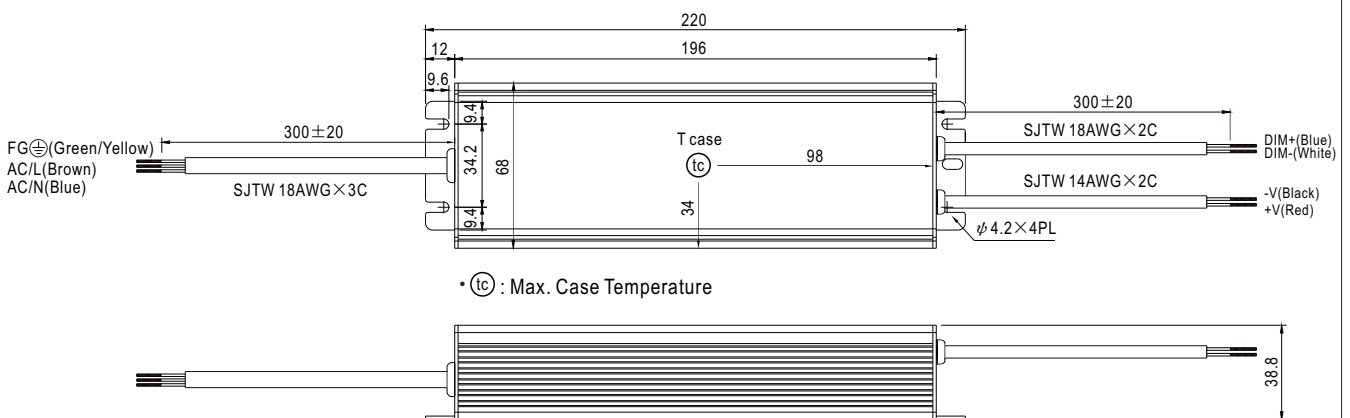
### ※Blank/D-Type



### ※A-Type



### ※B-Type

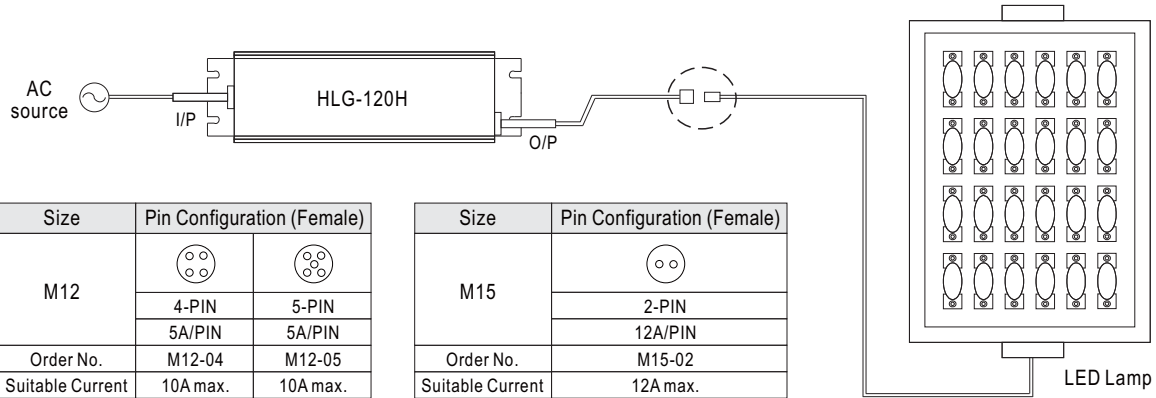




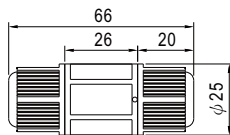
## WATERPROOF CONNECTION

### Waterproof connector

Waterproof connector can be assembled on the output cable of HLG-120H to operate in dry/wet/damp or outdoor environment.



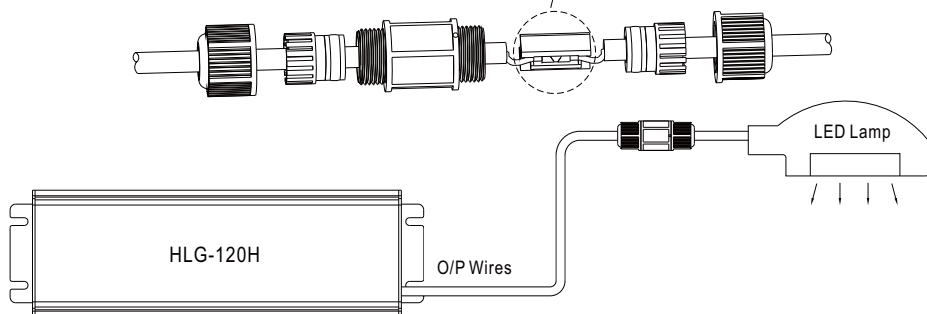
### Cable Joiner



CJ04-1 suitable for 14AWG~16AWG  
CJ04-2 suitable for 18AWG~22AWG

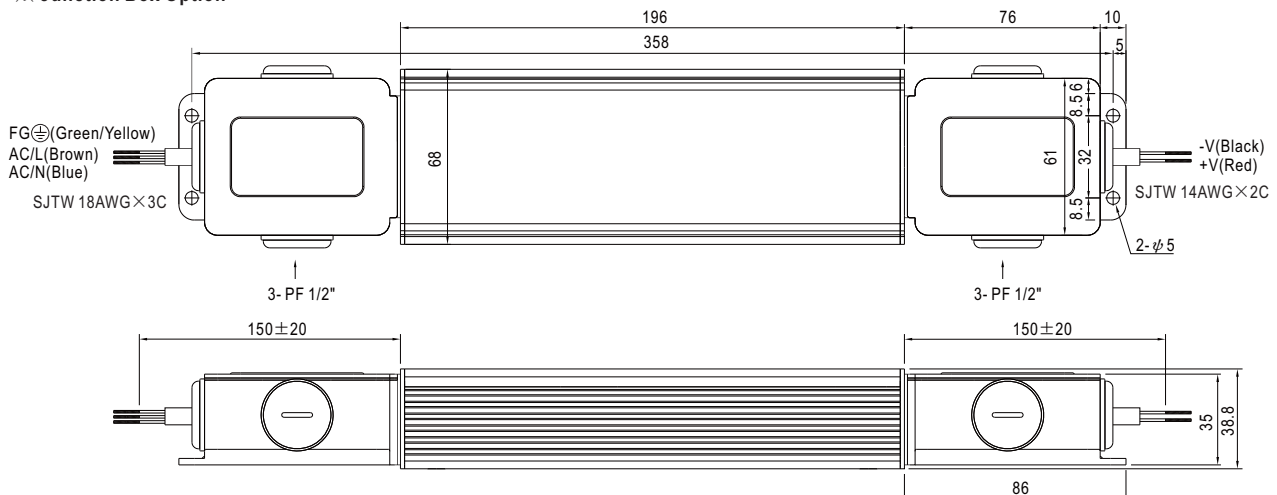


Up to four wires can be connected through this cable joiner by soldering or clamping by tools.



© CJ04 cable joiner can be purchased independently for user's own assembly.  
MEAN WELL order No. : CJ04-1, CJ04-2.

### Junction Box Option



© Junction box option is available for A / Blank - Type. Please contact MEAN WELL for details.

## INSTALLATION MANUAL

Please refer to : <http://www.meanwell.com/webnet/search/InstallationSearch.html>